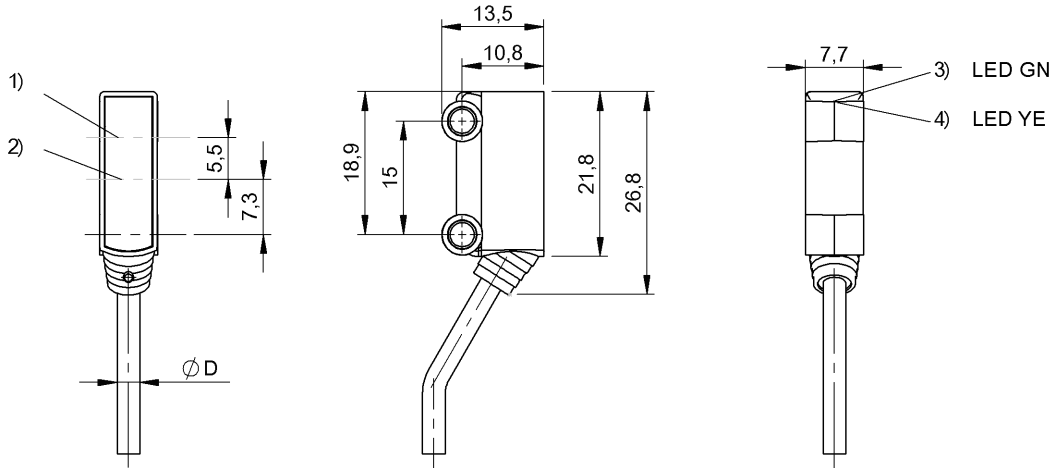
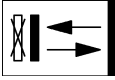


BOS R020K-PS-RF10-02
Order code: BOS021A

Photoelectric sensor
 Series R020K
 Light scanner, triangulation
 Sn = 15 mm

DC, direct current
 PNP (1x)
 NO: light-on
 800 Hz
 LED, red light

BALLUFF
 sensors worldwide



1) Optical axis receiver 2) Optical axis emitter 3) Power 4) Light reception

Basic data

Operating voltage UB DC 10.0 V... 30.0 V
 Eff. operating voltage Ue DC 24.0 V
 Ripple max. (% of Ue) 20 %
 No-load current max. Io at Ue 20 mA
 Polarity reversal protected yes
 Protection Class III
 Rated insulation voltage Ui 50 V DC
 Indicator Power - LED GN
 Light receipt - LED YE
 Ambient temperature Ta -25 °C... 50 °C

Optical data

Principle of optical operation Light scanner, triangulation
 Optical special feature Background suppression
 Erfassungsbereich Sd 1...15 mm
 Light type LED, red light
 Wavelength 660 nm
 Light spot size, typical $\varnothing 2$ mm at 8 mm
 Ambient light max. 5,000 Lux

Electrical data

Eff. operating distance Sr 15 mm
 Minimum operating distance 1 mm
 Switching output PNP (1x)
 Switching function NO
 Eff. operating current Ie 50 mA
 Switching freq. f max. (at Ue) 800 Hz
 Turn on time ton max. 0.63 ms

Turn off time toff max. 0.63 ms
 Voltage drop Ud max. (at Ie) 2.5 V
 Short circuit protected yes

Mechanical data

Style Block, 60° connection
 Dimensions 7.7 mm x 13.5 mm x 26.8 mm
 Mounting type Screw M3
 Housing material ABS
 Werkstoff aktive Fläche PMMA
 Degree of protec. per IEC60529 IP67
 Connection type Cable
 Cable diameter D max. 2.4 mm
 Cable length 2.00 m
 Number of conductors 3
 Conductor cross-section 0.09 mm²
 Cable jacket material PVC

Approval

Approvals / Conformity CE
 cULus

Remarks

Basic standard IEC 60947-5-2
 The sensor is functional again after the overload has been eliminated.
 Reference object (target): Gray card, 100 x 100
 90 % remission, axial approach.
 For additional information, refer to user's guide.
 Order accessories separately.

000000000000/243261/000000000

BOS R020K-PS-RF10-02
Order code: BOS021A

Photoelectric sensor
Series R020K
Light scanner, triangulation
Sn = 15 mm

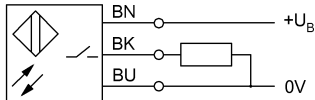
DC, direct current
PNP (1x)
NO: light-on
800 Hz
LED, red light

BALLUFF
sensors worldwide



Definitions see general catalog

Subject to change without notice.



000000000000243261/00000000